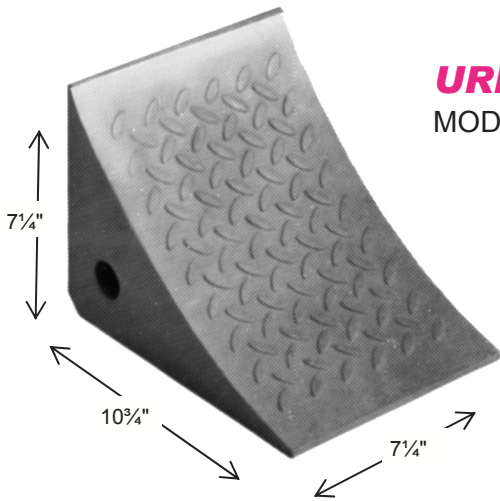
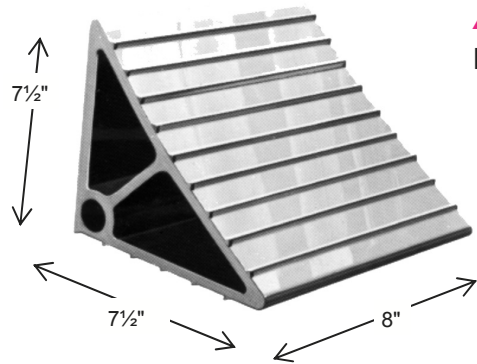


WHEEL CHOCKS



URETHANE
MODEL RUWC-10158-A

- Micro-Cell urethane
- Steel reinforced
- Tough, yet lightweight
- 3½ lbs. each
- **List Price: \$35.00**



ALUMINUM
MODEL AWC-888

- Extruded aluminum
- Ribbed tire face
- Extra strong, lightweight
- 7 lbs. each
- **List Price: \$38.00**

ATTENTION!!

Wheels
MUST BE
Chocked!

AN
OSHA
REQUIREMENT

Optional
**ANTI-
PILFERAGE**
Kit

MODEL APK-10

Kit includes: One 10-foot steel chain and attaching bracket

PALLET PULLER

Puts the Pallet Where You Want It

Fork lift tines too short to reach those last pallets on the truck? Pallets positioned improperly? Pull them quickly and easily into place with the Pallet Puller. For in-plant movement of loaded pallets, too.

The scissors body is constructed of rugged wrought steel bars. The teeth are of hardened tool steel—no castings—and can be replaced individually should the teeth ever wear down. A steel chain is attached for securing to fork truck and pulling.



MODEL No. PP-200



**Capacity: 5,000 lbs.
Weight: 14 lbs.**

ACCESSORIES - TOW CHAIN WITH TWO (2) GRAB HOOKS

Model #	Est. Wt.	Price	Model #	Est. Wt.	Price	Model #	Est. Wt.	Price
TC-10	9 Lbs.	\$39.32	TC-25	23 Lbs.	\$70.87	TC-40	36 Lbs.	\$104.09
TC-15	14 Lbs.	\$49.28	TC-30	27 Lbs.	\$81.67	TC-45	41 Lbs.	\$109.64
TC-20	18 Lbs.	\$59.80	TC-35	32 Lbs.	\$93.02	TC-50	45 Lbs.	\$119.88